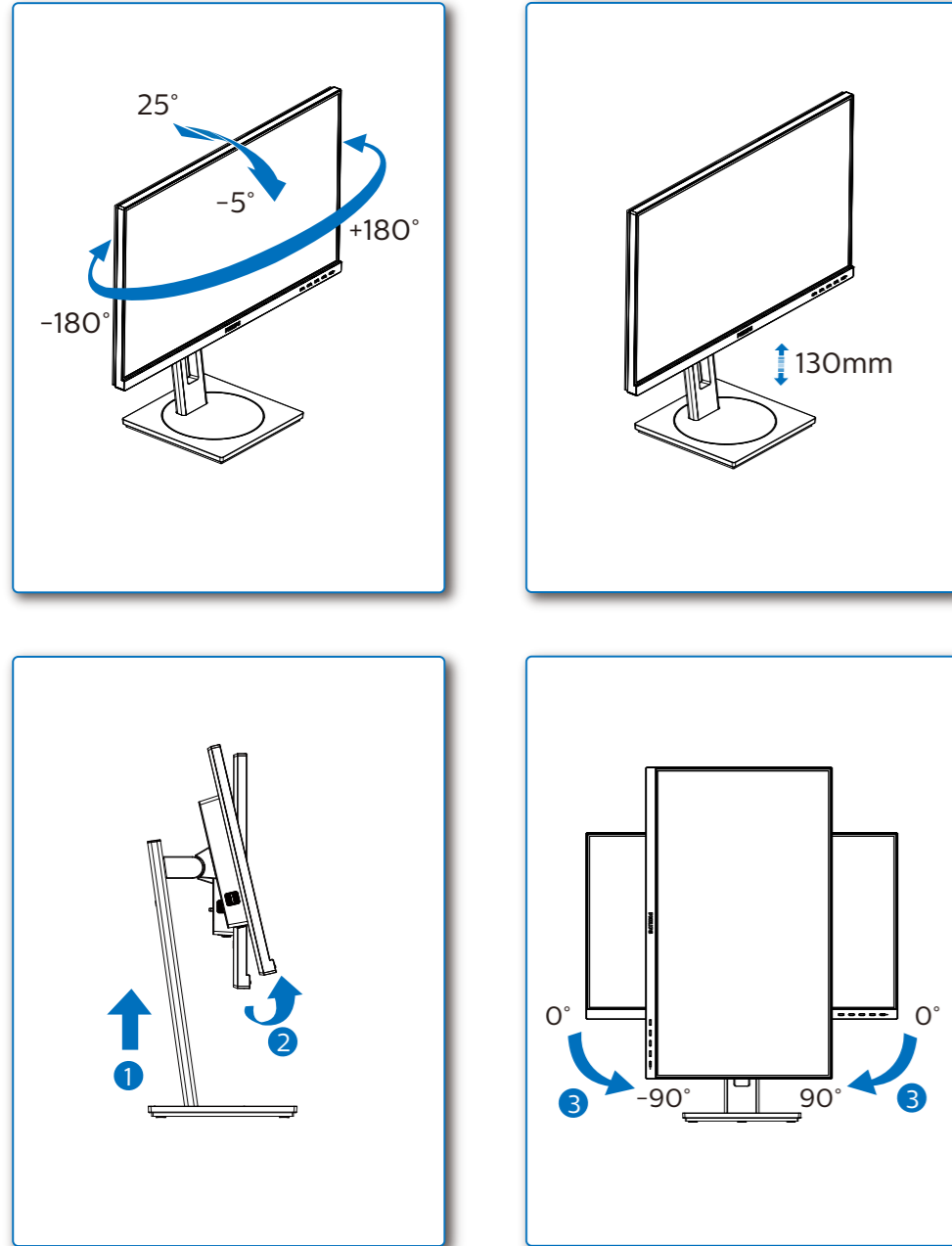


4



PHILIPS

Register your product and get support at www.philips.com/support

FAQ Software SmartControl User Manual

Version: M10243SQ1T
 2021 © TOP Victory Investments Ltd. All rights reserved.

This product has been manufactured by and is sold under the responsibility of Top Victory Investments Ltd., and Top Victory Investments Ltd. is the warrantor in relation to this product. Philips and the Philips Shield Emblem are registered trademarks of Koninklijke Philips N.V. and are used under license.

Specifications are subject to change without notice.

HDMI
 The terms HDMI, HDMI High-Definition Multimedia Interface, and the HDMI Logo are trademarks or registered trademarks of HDMI Licensing Administrator, Inc.

www.philips.com

Energy Labelling
 243S1

Printed in China

H41G78S381318C

PHILIPS
 S Line
 243S1



Quick Start

Register your product and get support at www.philips.com/welcome

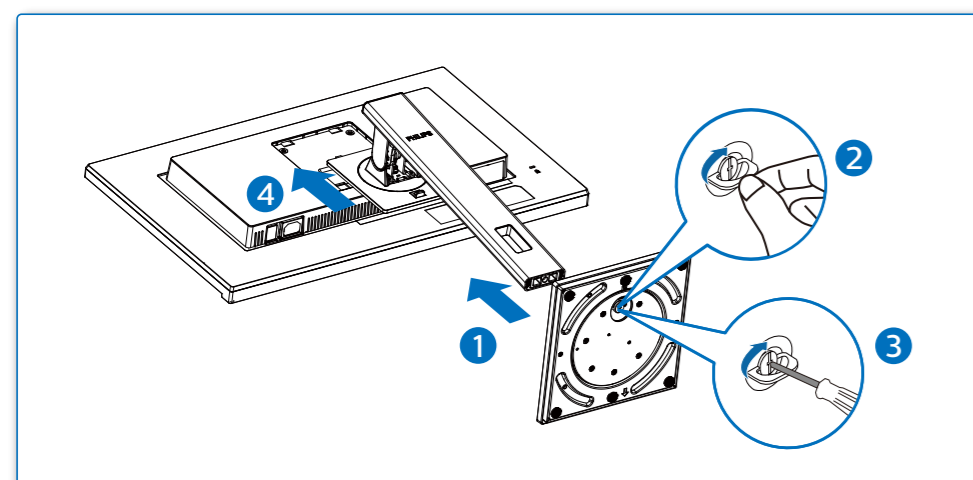


*USB C-C *USB C-A *USB C-C/A

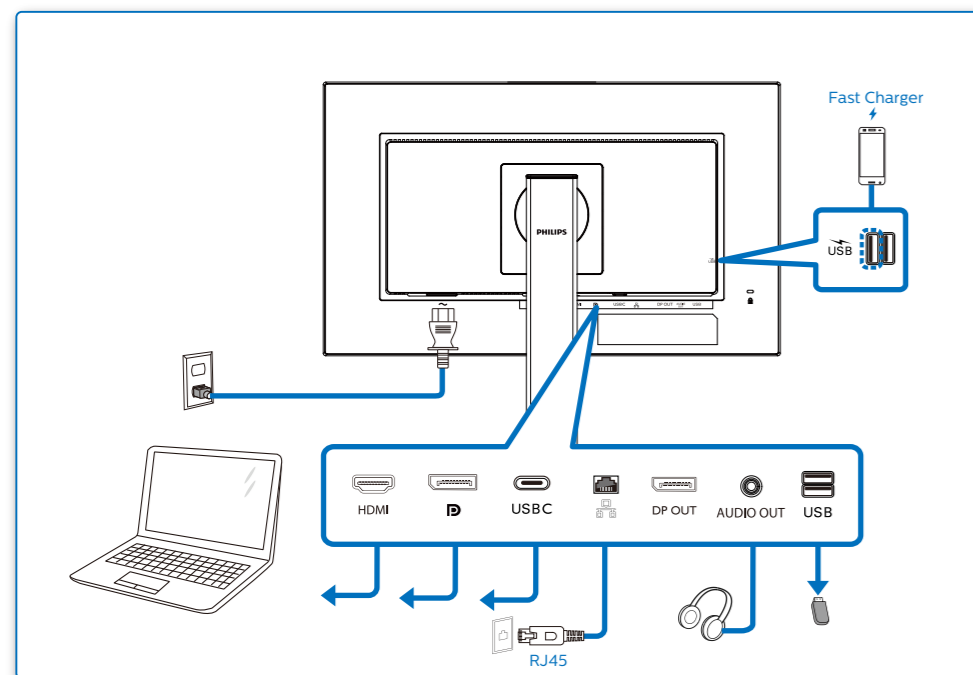
*HDMI *DP

*Different according to region
 Display design may differ from that illustrated

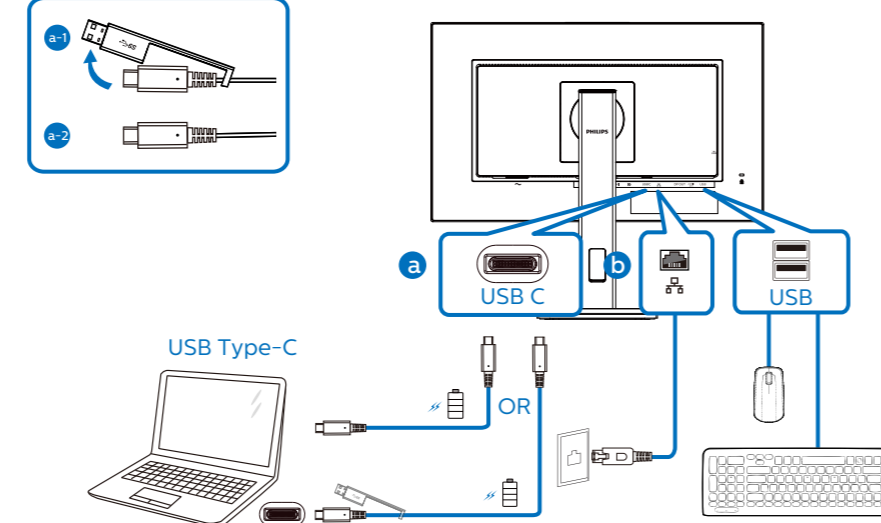
1



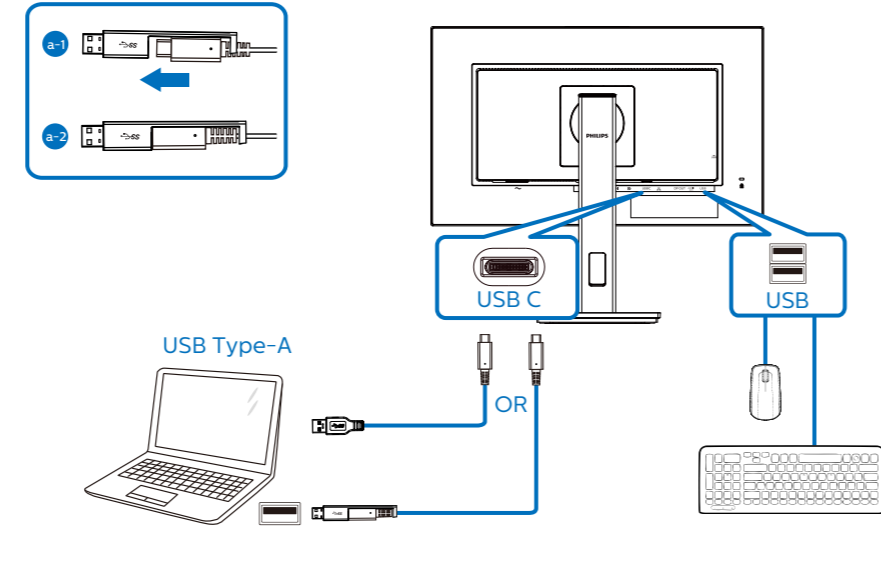
2



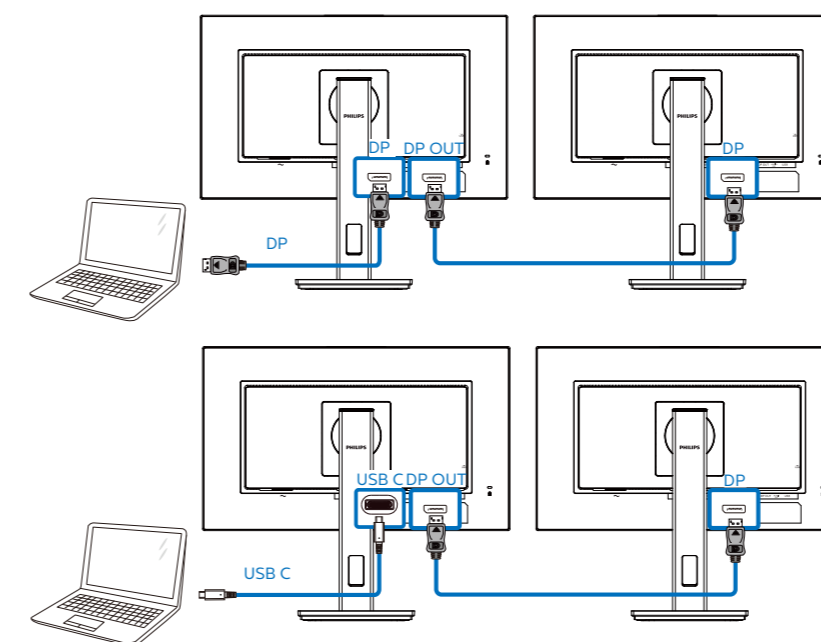
USB docking (USB C-C)



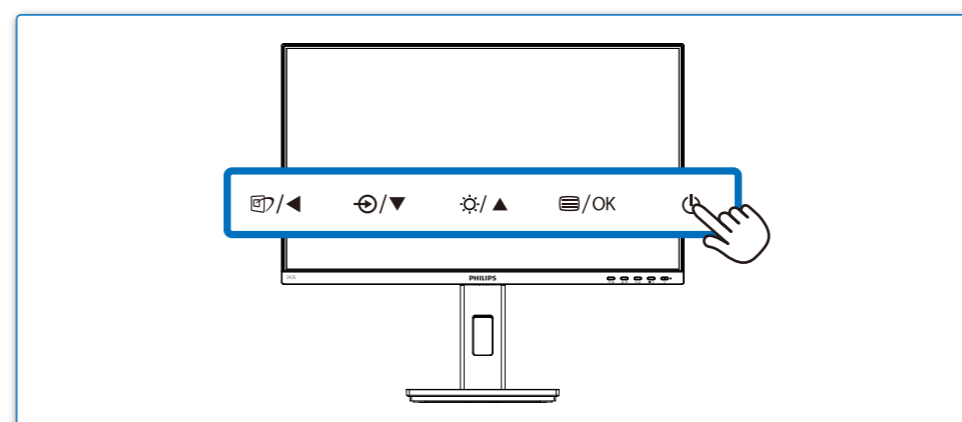
USB A-C



Multi-stream transport



3



3